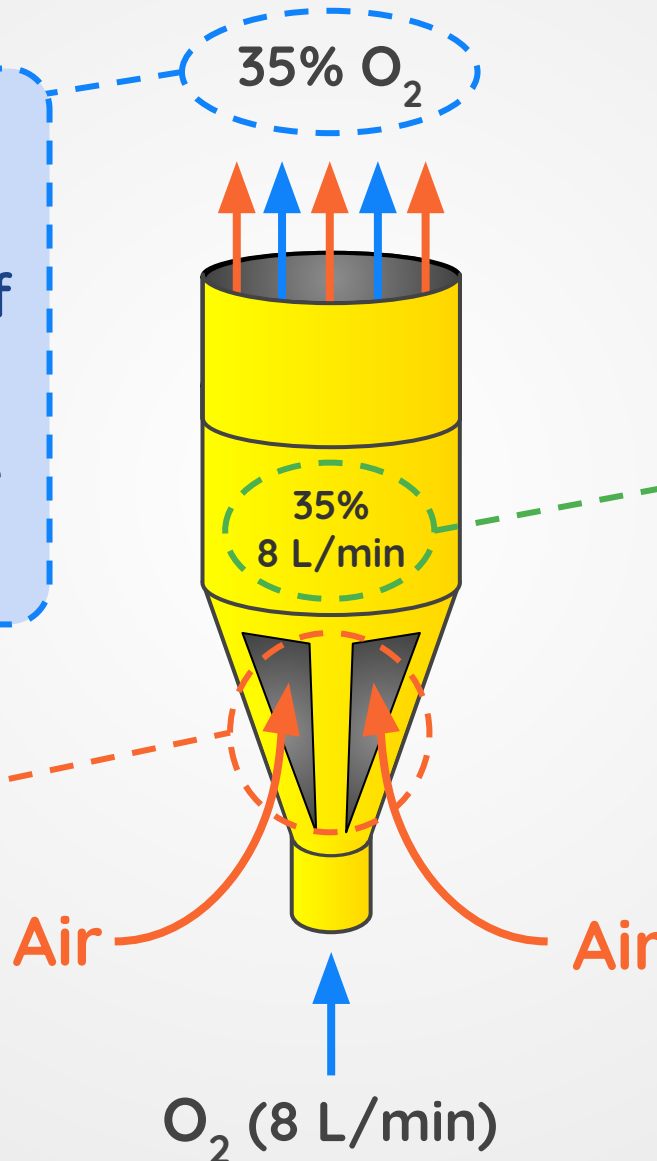


Lightning Learning: Venturi Device Basics

A set flow of O_2 L/min mixes with a set amount of air (defined by size of inlets) to produce a fixed % O_2

The size of the inlets for air changes for the different % venturis



The flow of O_2 L/min required to produce the specific O_2 %